

20/21
PRODUCTS

Product Catalogue
Jet Diffuser

Type (JTD)



Khedr Trust
ALL AIR PRODUCTS

Jet Diffuser products are manufactured by



“Your comfort is
our priority”

www.khedr-eg.com





Models

- JTD
JTD-PB "With Plenum Box"



Finish

- Standard Finish - White



Features

- Four sizes are available $\varnothing 8''$ to $\varnothing 14''$ to enhance control of sound levels.
- One to Four no. of jet units assemblies to meet the requirements of large air amounts.
- Optional Built-in plenum box.
Rectangular damper mounted in plenum box, or Butterfly round damper mounted in jet neck.



Jet Diffuser

Model Use

Khedr Model JTD is suitable for Long Throw & Large air volumes air distribution.

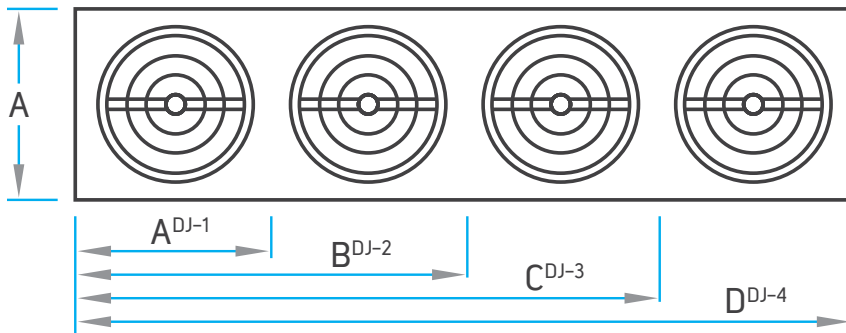
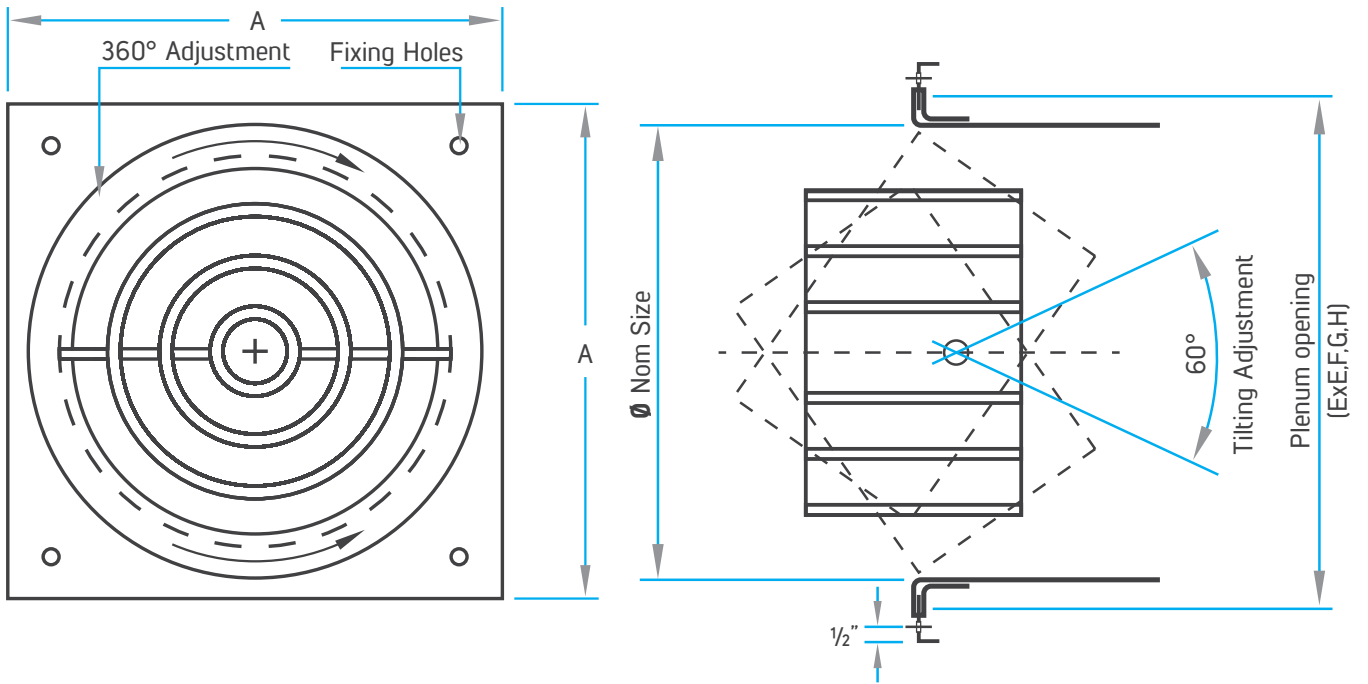
Unit Design

It is ideal solution for high ceiling applications such as Industrial & sports hall.

Appearance

Directional control enables air to directed vertical or horizontally with 360 rotation of mounting plate.

- Dimensions



Size	JTD 1		JTD 2		JTD 3		JTD 4	
	Jet Size	Plenum Size	Jet Size	Plenum Size	Jet Size	Plenum Size	Jet Size	Plenum Size
Nom. Size	A x A	E x E	A x B	E x F	A x C	E x G	A x D	E x H
Ø 8	14 x 14	12 x 12	14 x 26	12 x 24	14 x 38	12 x 36	14 x 50	12 x 48
Ø 10	16 x 16	14 x 14	16 x 30	14 x 28	16 x 44	14 x 42	14 x 58	14 x 56
Ø 12	18 x 18	16 x 16	18 x 34	16 x 32	18 x 50	16 x 66	16 x 66	16 x 64
Ø 14	20 x 20	18 x 18	20 x 38	18 x 36	20 x 56	18 x 54	20 x 74	18 x 72

Jet Diffuser products are manufactured by Khedr Trust Co.

- Performance data

- Nominal Size \varnothing 8

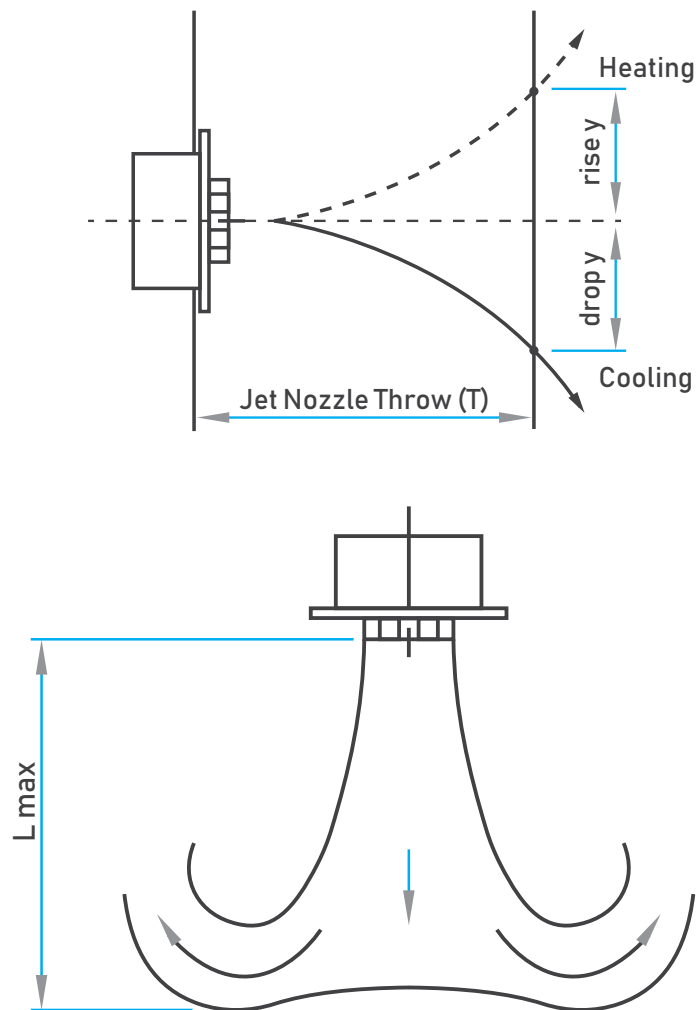
CFM	No. of JTD	P_s	Throw (T)	Projection (L)	NC
100	1	0.02	20	23	25
200	1	0.06	28	32	25
300	1	0.13	32	37	33
	2	0.04	28	32	23
400	1	0.24	40	46	42
	2	0.06	27	31	28
500	1	0.37	50	58	51
	2	0.10	30	35	35
	3	0.04	20	30	24
600	2	0.13	38	44	36
	3	0.06	30	35	29
	4	0.04	26	30	26
700	2	0.18	40	46	42
	3	0.09	35	40	34
	4	0.05	29	33	29
800	2	0.24	46	53	45
	3	0.10	38	44	36
	4	0.06	32	37	31
900	2	0.30	50	58	48
	3	0.13	40	46	37
	4	0.08	35	40	35
1000	3	0.16	48	55	41
	4	0.10	37	43	38
1200	3	0.24	50	58	48
	4	0.13	42	48	39

Jet Diffuser products are manufactured by Khedr Trust Co.

- Nominal Size ϕ 8 - continued

CFM	No. of JTD	P_s	Throw (T)	Projection (L)	NC
1400	3	0.31	58	67	50
	4	0.81	48	55	45
1600	4	0.24	54	62	48
1800	4	0.30	60	69	51

Jet Diffuser products are manufactured by Khedr Trust Co.



- CFM Cubic feet per Minute
- P_s Static Pressure "Inch Water"
- NC re 8db room
- T Throw "Feet" @ $\Delta 20$ F, $V_T = 50$ FPM
- L Projection "Feet" @ $\Delta 20$ F, $V_T = 50$ FPM
- V_T Terminal Velocity "FPM"

- Nominal Size ϕ 10

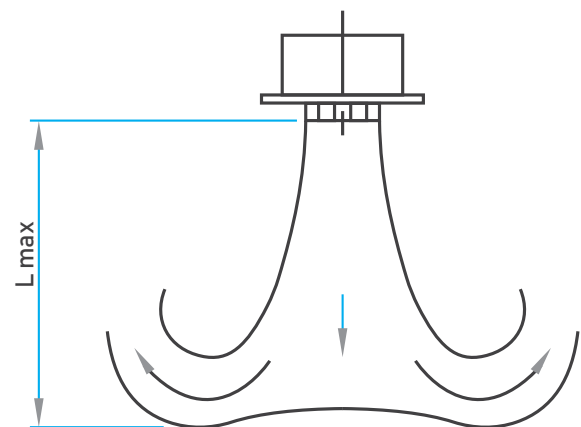
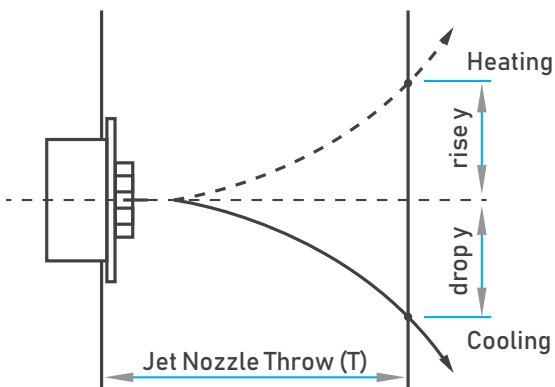
CFM	No. of JTD	P_s	Throw (T)	Projection (L)	NC
300	1	0.03	24	28	18
400	1	0.06	33	38	26
500	1	0.09	40	46	32
600	1	0.13	50	58	36
	2	0.03	26	30	21
700	1	0.18	57	65	41
	2	0.05	33	38	26
800	1	0.24	60	69	44
	2	0.06	37	42	29
900	1	0.30	70	80	47
	2	0.08	40	46	32
1000	1	0.36	80	92	49
	2	0.09	47	54	34
	3	0.04	33	38	26
1200	1	0.52	90	103	54
	2	0.13	52	60	39
	3	0.06	40	46	31
1400	1	0.72	100	115	58
	2	0.18	60	69	44
	3	0.08	46	53	34
	4	0.05	40	46	29
1600	2	0.24	70	80	47
	3	0.11	83	95	41
	4	0.06	40	46	32
1800	2	0.30	80	92	50
	3	0.13	57	65	39
	4	0.08	47	34	35

Jet Diffuser products are manufactured by Khedr Trust Co.

- Nominal Size ϕ 10 - continued

CFM	No. of JTD	P_s	Throw (T)	Projection (L)	NC
2000	2	0.36	93	107	52
	3	0.16	60	69	44
	4	0.09	50	58	37
2200	2	0.44	97	111	55
	3	0.20	70	80	47
	4	0.11	57	65	40
2400	3	0.23	77	88	49
	4	0.13	60	69	42
2600	3	0.27	80	92	50
	4	0.16	60	69	44
2800	3	0.32	83	95	52
	4	0.18	67	77	46
3000	3	0.37	93	107	54
	4	0.21	70	80	48
3500	4	0.28	80	92	52
4000	4	0.37	97	112	55

Jet Diffuser products are manufactured by Khedr Trust Co.



- CFM Cubic feet per Minute
- P_s Static Pressure "Inch Water"
- NC re 8db room
- T Throw "Feet" @ $\Delta 20$ F, $V_T = 50$ FPM
- L Projection "Feet" @ $\Delta 20$ F, $V_T = 50$ FPM
- V_T Terminal Velocity "FPM"

- Nominal Size ϕ 12

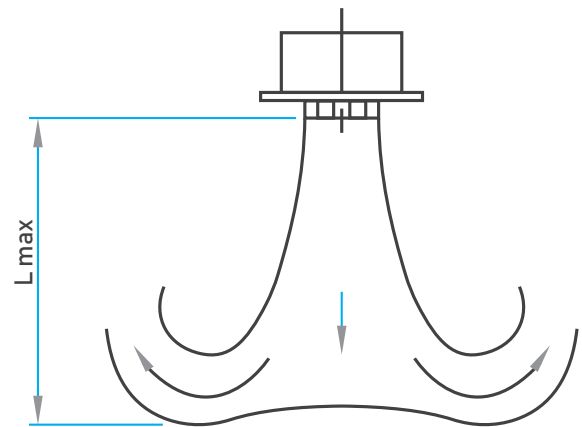
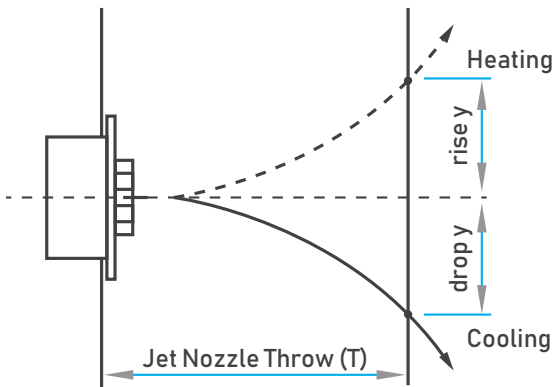
CFM	No. of JTD	P_s	Throw (T)	Projection (L)	NC
500	1	0.04	37	42	28
600	1	0.06	47	54	28
700	1	0.08	50	58	32
800	1	0.10	57	65	35
900	1	0.13	60	69	38
1000	1	0.16	70	80	40
	2	0.04	40	46	26
1200	1	0.23	80	92	45
	2	0.06	47	54	31
1400	1	0.32	93	106	49
	2	0.08	50	58	35
1600	2	0.41	110	125	52
	3	0.10	60	69	38
	4	0.05	47	54	29
1800	2	0.13	70	80	41
	3	0.06	50	58	32
2000	2	0.16	80	92	43
	3	0.07	57	65	34
	4	0.04	44	50	29
2400	2	0.23	93	106	48
	3	0.10	67	77	39
	4	0.06	50	64	34
2600	2	0.27	97	110	50
	3	0.12	70	80	41
	4	0.07	57	65	36
2800	2	0.32	100	115	52
	3	0.14	77	88	43
	4	0.08	60	69	38

Jet Diffuser products are manufactured by Khedr Trust Co.

- Nominal Size ϕ 12 - continued

CFM	No. of JTD	P_s	Throw (T)	Projection (L)	NC
3000	2	0.36	112	128	53
	3	0.16	80	92	44
	4	0.09	67	77	39
3500	3	0.22	93	106	48
	4	0.12	70	80	43
4000	3	0.28	106	120	51
	4	0.16	87	100	46
4500	3	0.36	115	130	54
	4	0.20	93	106	49
5000	4	0.25	106	120	52
6000	4	0.36	124	142	56

Jet Diffuser products are manufactured by Khedr Trust Co.



- CFM Cubic feet per Minute
- P_s Static Pressure "Inch Water"
- NC re 8db room
- T Throw "Feet" @ $\Delta 20$ F, $V_T = 50$ FPM
- L Projection "Feet" @ $\Delta 20$ F, $V_T = 50$ FPM
- V_T Terminal Velocity "FPM"

- Nominal Size ϕ 14

CFM	No. of JTD	P_s	Throw (T)	Projection (L)	NC
700	1	0.06	40	46	23
800	1	0.08	47	54	26
900	1	0.10	50	58	29
1000	1	0.12	57	65	33
1200	1	0.18	67	77	37
1400	1	0.24	80	92	41
	2	0.06	47	54	26
1600	1	0.32	93	106	43
	2	0.08	50	58	29
1800	1	0.46	100	115	46
	2	0.10	60	69	32
2000	1	0.50	112	128	48
	2	0.12	67	77	35
2200	1	0.60	123	140	51
	2	0.16	70	80	36
	3	0.08	50	58	27
2400	1	0.70	130	150	53
	2	0.18	80	92	39
	3	0.08	57	65	29
2600	1	0.80	140	160	55
	2	0.22	87	100	40
	3	0.10	60	69	31
2800	1	0.90	155	175	56
	2	0.26	93	106	42
	3	0.12	67	77	33

Jet Diffuser products are manufactured by Khedr Trust Co.

- Nominal Size ϕ 14 - continued

CFM	No. of JTD	P_s	Throw (T)	Projection (L)	NC
3000	1	1.00	160	184	60
	2	0.28	100	115	46
	3	0.12	70	80	37
	4	0.08	57	65	32
3500	2	0.36	112	128	53
	3	0.16	80	92	44
	4	0.09	67	77	39
4000	2	0.50	115	130	52
	3	0.22	80	92	43
	4	0.12	70	80	38
4500	2	0.62	132	150	55
	3	0.24	106	120	46
	4	0.16	80	92	41
5000	2	0.74	155	175	59
	3	0.32	115	130	50
	4	0.20	93	106	45
6000	2	1.00	190	215	63
	3	0.50	136	156	54
	4	0.28	106	120	49
7000	3	0.66	165	190	56
	4	0.38	125	140	52
8000	3	0.84	185	210	60
	4	0.50	145	165	55

Jet Diffuser products are manufactured by Khedr Trust Co.

CFM Cubic feet per Minute
 P_s Static Pressure "Inch Water"
 NC re 8db room

T Throw "Feet" @, 20 F, $V_T = 50$ FPM
 L Projection "Feet" @, 20 F, $V_T = 50$ FPM
 V_T Terminal Velocity "FPM"

- Selection Procedure

1. Determine the required CFM per each outlet as per cooling Load Calculation.
2. Determine the Throw / Projection required.
3. Select the suitable size & no. of JTD that give the required CFM & Throw / projection from performance data tables.

- Selection Procedure Example

1. Required 1000 CFM as per cooling load calculations.
2. Required Throw = 40 ft.
3. The size of shall be :
 - A. No of JTD = 3 , size ϕ 8.
 - B. No of JTD = 2 , size ϕ 12.
 - C. No of JTD = 1 , size ϕ 14.

Nom. Size	No. of JTD	No. of JTD	P_s	Throw (T)	Projection (L)	NC
ϕ 8	1000	3	0.16	48	55	41
		4	0.10	37	43	38
ϕ 12	1000	1	0.16	70	80	40
		2	0.04	40	46	26
ϕ 14	1000	1	0.12	57	65	33

Jet Diffuser products are manufactured by Khedr Trust Co.

- How to order

Type	JTD	JTD - Jet Diffuser
Plenum Box	PB	PB Plenum Box 0 No Plenum Box
No.of JTD	4	1,2,3&4
Size	ϕ 10	ϕ " Inch"
Finish	1	0 Aluminum 1 White Color 2 Other Colors
Damper	0	0 Without Damper 1 With Damper

Jet Diffuser products are manufactured by Khedr Trust Co.

Other Products are provided by Khedr Trust Co.

Diffusers & Grills

Slot Linear Diffuser
Eye Ball Diffuser
Circular Ceiling Diffuser
Swirl Diffuser
Perforated Ceiling Diffuser
Jet Diffuser
Square Ceiling Diffuser
Disc Valve Diffuser
Linear Bar Grill
Supply / Return Grill
Door Grill

Louvers

Aluminum Louver
Sand Trap Louver

Dampers

Volume Damper
Fire Damper
Smoke Motorized Damper
Shutter Damper
Pressure Relief Damper

Special Parts

Sound Attenuator
Plenum Box

Duct Works

Galvanized Steel Duct
Black Steel Duct
Stainless Steel Duct
Spiral Duct
Flexible Duct
Canvas
Flanges
Flexible Duct Connector



Khedr Trust

ALL AIR PRODUCTS



Alqanater Alkhairia roads.Industrial Area. Behind Cocacola Co.. Cairo, Egypt

Mailing Address : P.O.Box 13621. Cairo 11511 - Egypt

Tel : +202 42452022

Mob : +2010 29999054 / +2010 29999056

+2010 29999057 / +2010 29999058

E-Mail : info@khedr-eg.com

 / khedr.co

www.khedr-eg.com

